

Backpressure Valve

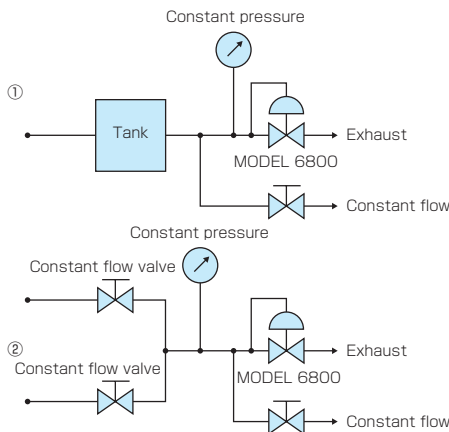
MODEL 6800 SERIES

The backpressure valve is a kind of relief valve that keeps the pressure at the front stage of a valve constant. It can easily and quickly control the pressure of a tank with a large buffer and remove the constant flow of a mixed gas, which cannot easily be done by general regulation valves with a subsequent stage controlling function. This new concept of pressure regulation has been attracting much attention.

- Convenient panel-mount type
- Compact design
- High-speed regulation of primary-side pressure
- This greaseless clean valve permits gas control in a pure state.

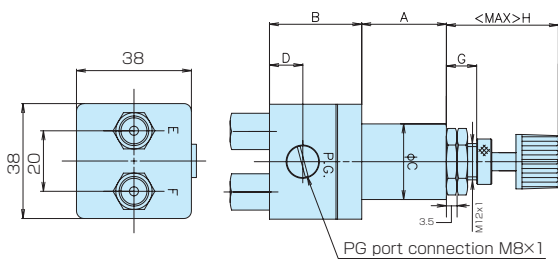


Example of use



- ① In this example, constant flow is discharged, while the tank inside pressure is kept constant.
- ② In this example, constant-flow mixed gas is discharged by the constant flow valve.

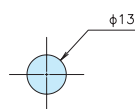
Dimensions



Dimensions of each part

Model	A	B	C	D	E	F	G	H
6800A	28	30.5	25	11	IN	OUT	10	37
6800B	31	30.5	30	11	IN	OUT	13	40
6800AL	28	34.5	25	14	OUT	IN	10	37
6800BL	31	34.5	30	14	OUT	IN	13	40

<Cut Dimensions>



Purchasing

- When a gauge port lock plug is provided, IN and OUT ports alone can be specified, and when there is no lock plug, the end connection for the IN, OUT, and gauge ports can be specified.

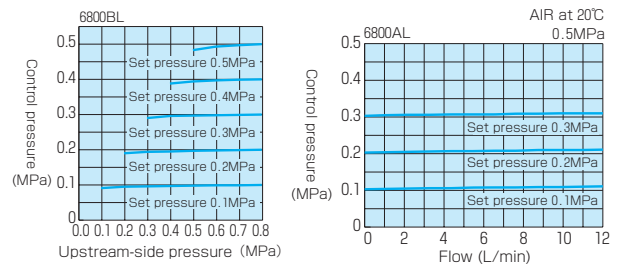
Applications

- Tank pressure control
- Constant flow control of mixed gas

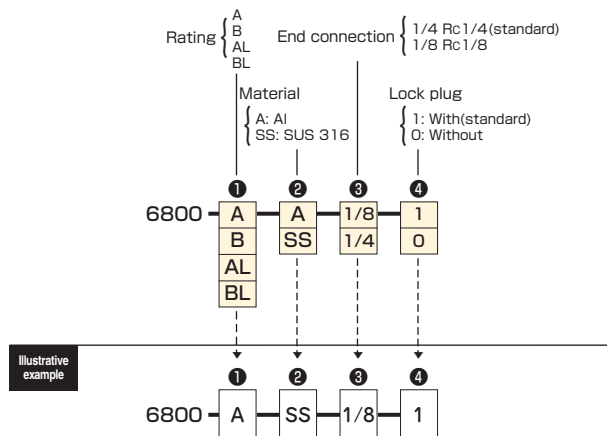
Model	6800A	6800B	6800AL	6800BL
Pressure setting	0.01-0.3MPa	0.01-0.6MPa	0.01-0.3MPa	0.01-0.6MPa
Maximum exhaust flow	1L/MIN	0.8L/MIN	10L/MIN	10L/MIN
Proof pressure	0.8MPa			
Heat resistance	5°C-60°C			
Connection end	Rc 1/4 (standard), Rc 1/8			
Materials of parts in contact with fluids	(A) Al, brass, NBR, POM (SS) SUS316, FKM, fluorocarbon resin			

(Note) The maximum flow may vary depending on operating conditions.

Flow Characteristics



Ordering



* Refer to "Ordering" and "Illustrative example" when placing an order or requesting a quotation. Fill in the blanks in the "Order/Quotation Request Card" at the end of the catalog, and send the card by fax.