

Variable Primary Pressure Flow Controller (Not subject to supply pressure variations)

MODEL 2204 SERIES

Model 2204 Variable Primary Pressure Flow Controller is a control valve that always keeps flows at a constant rate under a given constant level of secondary pressure (outlet pressure) even when the primary pressure (inlet pressure) fluctuates. The built-in precision needle valve accurately controls flows to the set flow rate, including ultra-minute flows.

- Stable flow control**
A non-rotary needle valve composed of high-precision components ensures smooth control of even ultra-minute flows.
- Not subject to supply pressure fluctuations**
Flows are protected from being affected by primary pressure (supply pressure) fluctuations, under a given constant level of secondary pressure (outlet pressure).
- Cleanliness ensured**
All the high-precision components are super-cleaned before assembly so that the product can be safely used even on high-sensitivity instruments for analysis for which cleanliness is essential.

Applications

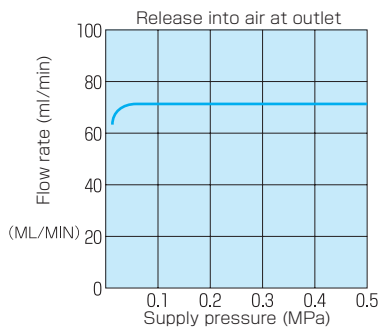
- Physical and chemical appliances
- Control of the second-stage operation of pumps
- Various instruments for analysis
- Environmental instrumentation systems

Standard Specifications

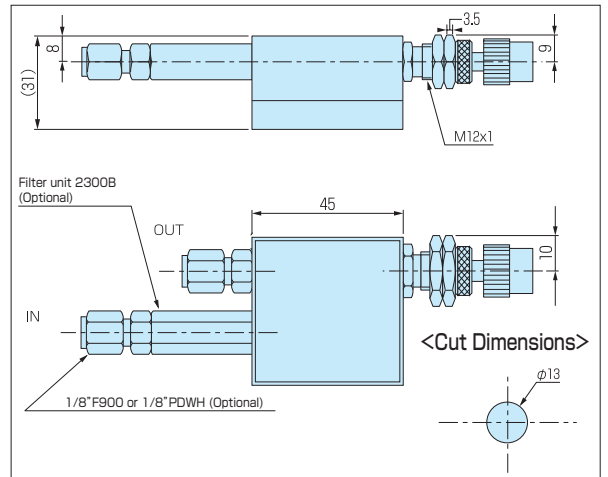
Rated flow ranges	GAS: 10 ML/MIN-10 L/MIN
Control accuracy	Within the set flow $\pm 2\%$ when the primary pressure (inlet pressure) changes by 0.3 MPa in a range between 0.07 MPa and 0.8 MPa.
Number of turns of regulating screw	Approx. 12 turns
Maximum operating pressure	0.8 MPa
Maximum operating temperature	60°C
Materials of parts in contact with fluids	(A) Al, brass, POM, NBR, SUS316 (SS) SUS316, fluorocarbon resin, FKM
Connection end	Rc 1/8 (M8 + Rc 1/8)

Air at 20°C atmospheric pressure condition.

Control Characteristic Curve



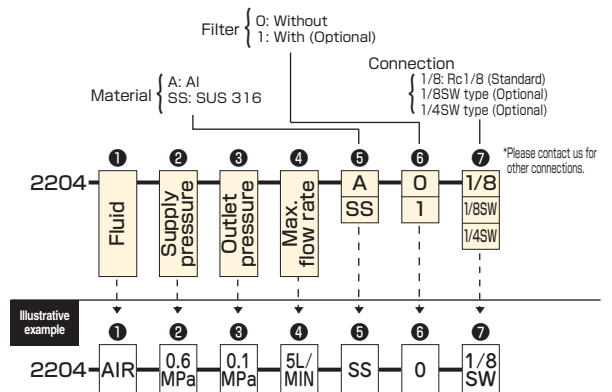
Dimensions



Notes:

- You may specify the fluid, pressure and flow rate of your equipment for our selection of the type that most suits your requirements. Use the values on Table of Rated Flow Ranges for reference purposes only.
- At least an inlet/outlet pressure difference of 0.07 MPa is required.

Ordering



* Refer to "Ordering" and "Illustrative example" when placing an order or requesting a quotation. Fill in the blanks in the "Order/Quotation Request Card" at the end of the catalog, and send the card by fax.