

NEW Diaphragm Pump for Liquid specification AC Motor Liquid

FDL-10/FDL-20 DC Motor

■ DC motor uses a brushless motor, variable speed operation as standard features and alarm output available



Specification	FDL-10	FDL-20
Max discharge flow rate	12.0L/min	20.0L/min
Suction lift (self-priming)	3m	
Max discharge pressure	400.0kPaG	
Connection	R1/2	
Suction temp range	0~70°C	
Ambient environment	Temp: 0~40°C / Humid: RH85%	
Rated current	DC24V(STD)	
External driving	External input voltage DC0~5V PWM Control External Volume Adjustment	
Rated current	6A	
Rated speed	1000RPM	1900RPM
Output	125W	
Insulation	E	
Weight	2.5kg	

Option

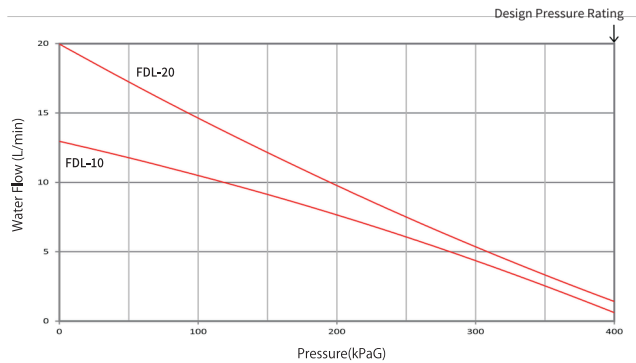
- Connection : Quick fasteners 12.7
- Oring : FKM,FFKM,FEP,AFLAS,NEXUS
- Motor : AC100/110V,200/220V
- Others : Pressure switch, built-in relief valve, anti-vibration stand power cord (AC), harness processing, external volume regulator (DC)

※Consult us for other specifications.

Wetted parts

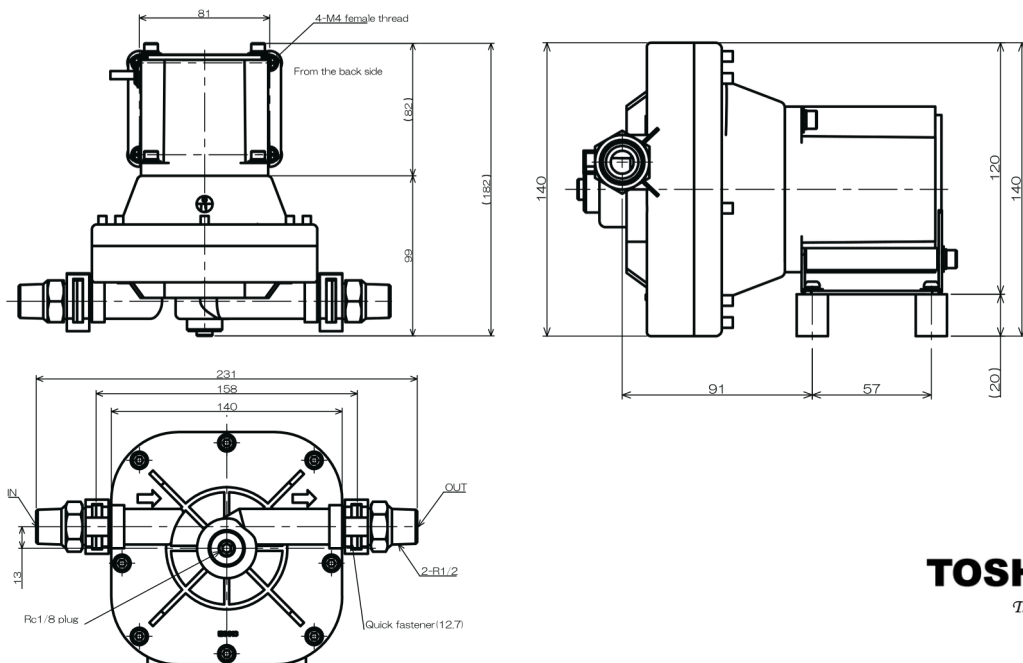
Pump head	PPS(Thermoplastics)
Diaphragm	Thermoplastic elastomers
Valve assembly	Thermoplastic elastomers / PPS
Oring	EPDM(STD)

Performance curve | FDL-10/FDL-20



Note)The above is the water flow rate.
Start the pump under atmospheric pressure (101.33 kPa ± 10 kPa). It may not work if started in pressurized or depressurized.

Dimensions | Unit:mm



TOSHENS
The trustworthy name...