

Multidial Type Precision Needle Valve (Ideal for restriction of flows by dial control operation)

MODEL 2412M SERIES

This is an enhanced model of the KOFLOC Precision Needle Valve Model 2412 (see page 116), which now incorporates a multidial that allows the user to set desired flow rates by dial operations. This valve makes the most of the rotation-to-flow linearity and repeatability performance of the 2412 needle.

- Since a precision needle valve usually has superior flow characteristics and repeatability, it can be used in place of a needle valve flowmeter.
- Wide variations are available for both the needle valve (Type T, Type L, and so on) and the multidial (Standard Type, Round Type, and so on).

Note: No scale calibration is required for the multidial.

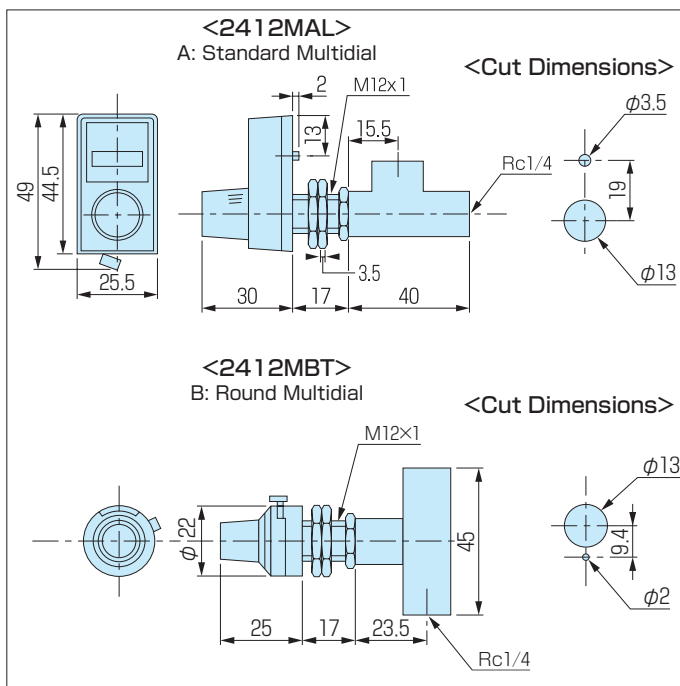
Applications

- Detection of deteriorated filters
- Substitute for a flowmeter
- Detection of fluctuations of flow path resistance

Standard Specifications

Regulating screw rotating speed	Multidial: 10 turns (Overscale possible) Needle valve: Approx. 12 turns
Multidial scale	3-digit setting (000-999)
Multidial type	A: Standard multidial B: Round multidial
Connection end	Rc1/4; Rc1/8 (Optional)
Rated flow ranges	See Table of Rated Flow Ranges for Model 2412 on page 117.

Dimensions

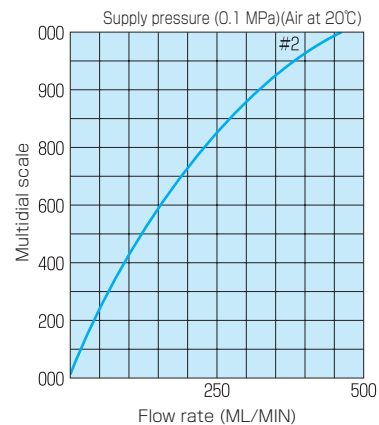


2412MAT



2412MBL

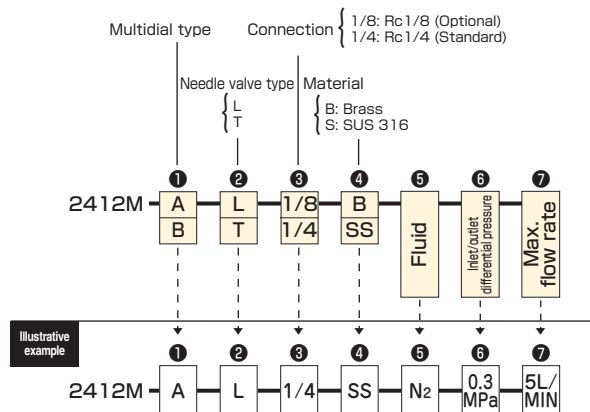
Example of Characteristic Curve



Notes:

- For flow rating, please see Table of Rated Flow Ranges for Model 2412 on page 117.
- You may specify the fluid and pressure flow of your equipment for our selection of the type that most suits your requirements.
- The 2412M valve opens when it turns in the direction reverse to the 2412.

Ordering



* Refer to "Ordering" and "Illustrative example" when placing an order or requesting a quotation. Fill in the blanks in the "Order/Quotation Request Card" at the end of the catalog, and send the card by fax.